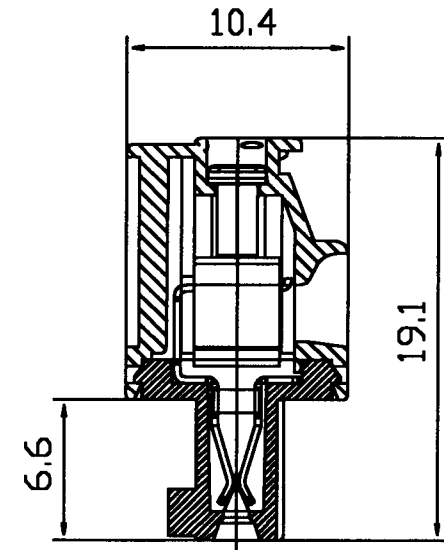
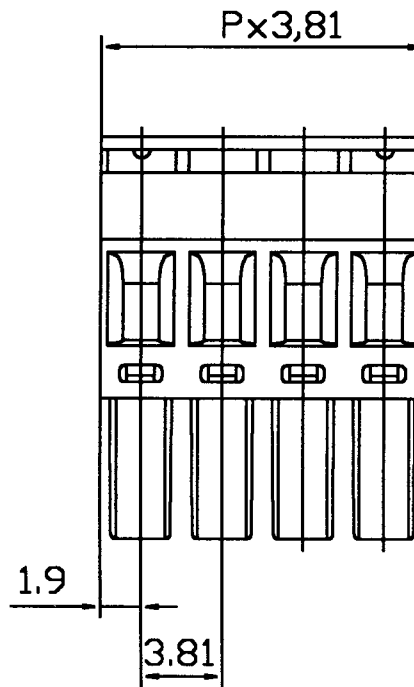


**Ratings:**  
 Current 8A  
 Voltage 300 V  
 Wire Size 28-16AWG  
 Test Voltage / Dirt Level 4.0 kV/3  
 Rated Torque / Screw Size 0.4Nm /M2

**Rated Cross Section:**  
 Single Wire (solid) 1.5mm<sup>2</sup>  
 Stranded Wire (flexible) 1.0mm<sup>2</sup>  
 Stranded Wire with Ferrules 1.0mm<sup>2</sup>

**Dimensions:**  
 Spacing 3.81mm  
 Stripped Length 7.0mm

**Materials:**  
 Insulating Material PA  
 Flammability UL94V-0  
 Temperature -30°C/+105°C  
 Block CuZn  
 Contact CuSn  
 Color Green



Part Number  
**EDZ1710/ \* \***  
 \* - NUMBER OF POSITIONS

Units  
 mm

Drawing

Reviewed

Approved

Date  
 2/15/99  
 Sheet 1 of 1  
 Rev. A